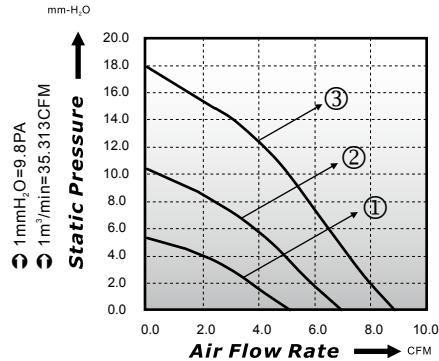


75x75x10mm

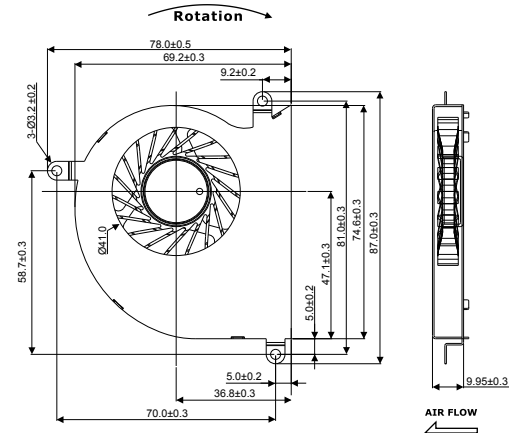


■ P-Q Curve (At Rated Voltage)



■ Dimensions Drawing

Unit: (mm)



Model No	Bearing (*)	Rated Voltage (VDC)	Rated Current (A)	Power Consumption (Watts)	Speed (rpm)	Air Flow (CFM)	Static Pressure (mmH ₂ O)	Noise (dBA)	Curve
EBD07510-12LB	●	12	0.20	2.40	3000	5.11	5.32	24.7	1
EBD07510-12MB	●	12	0.30	3.60	4000	6.95	10.36	32.5	2
EBD07510-12HB	●	12	0.40	4.80	5000	8.84	17.91	39.3	3

* Bearing Type: ○ Sleeve ● Two Ball ⊙ Hydro-Dynamic